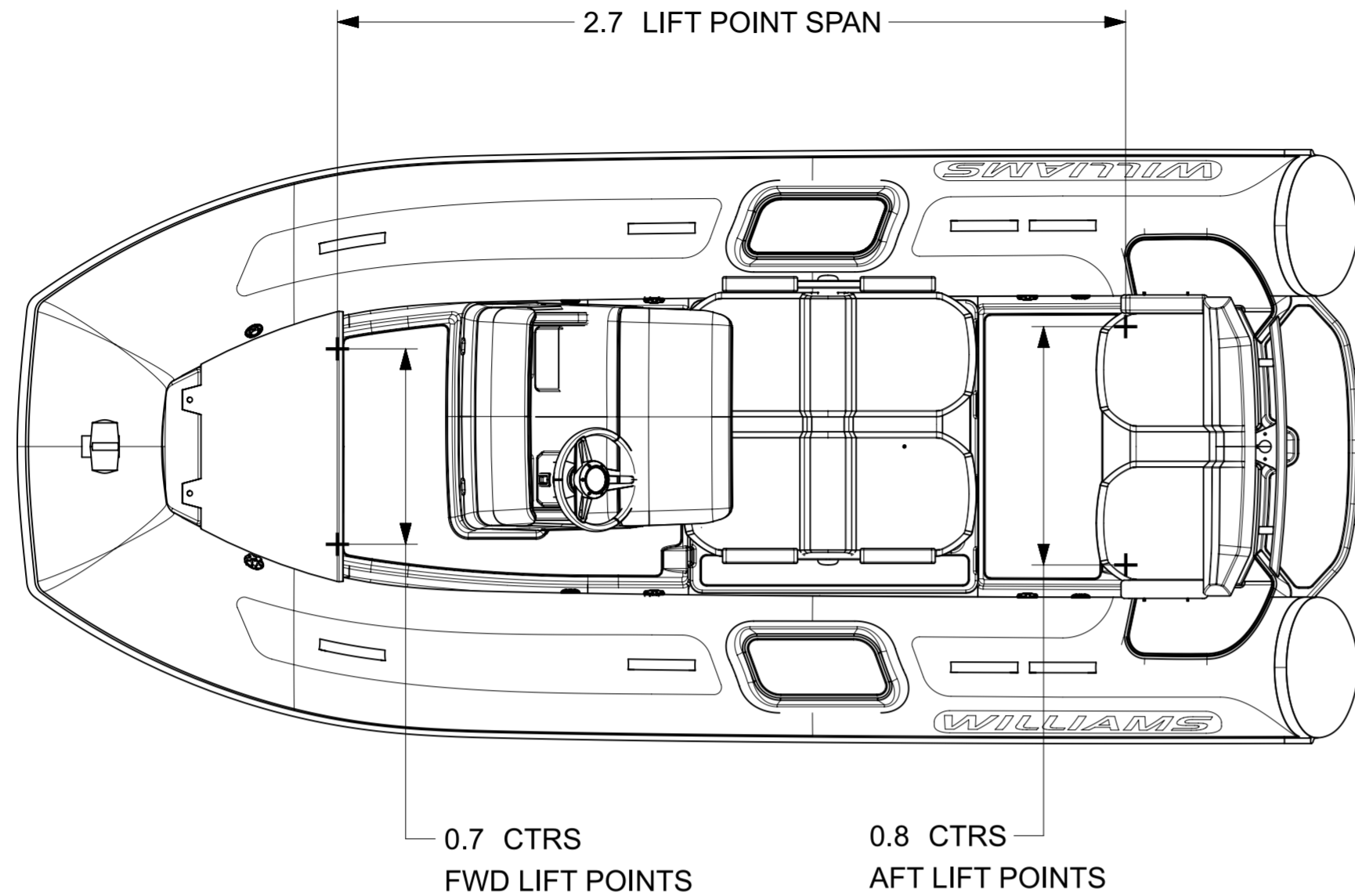


DIESELJET

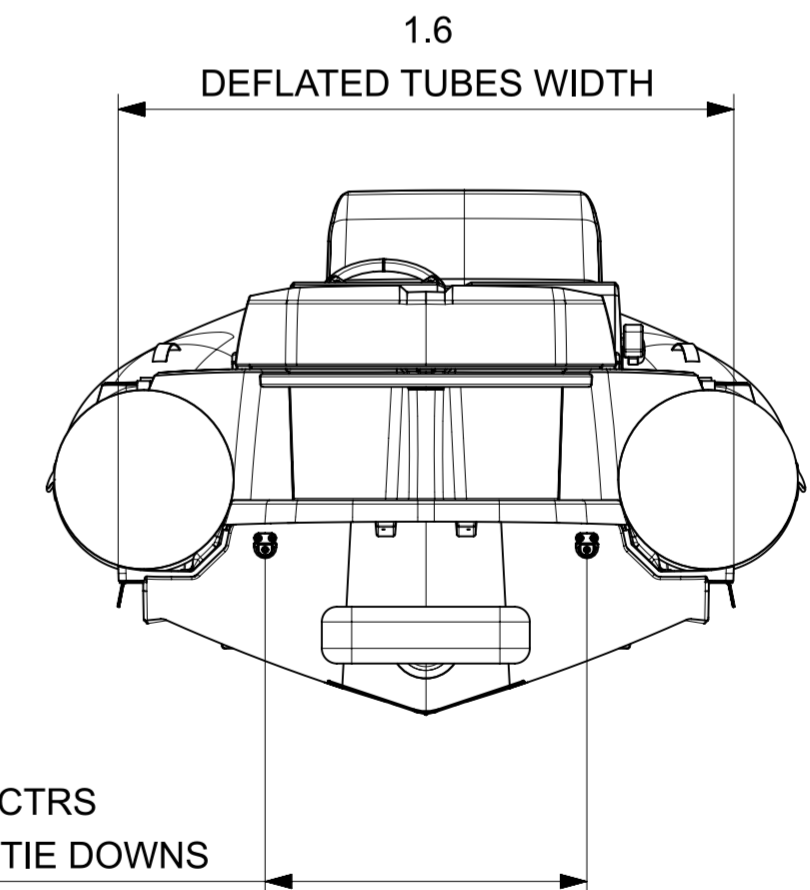
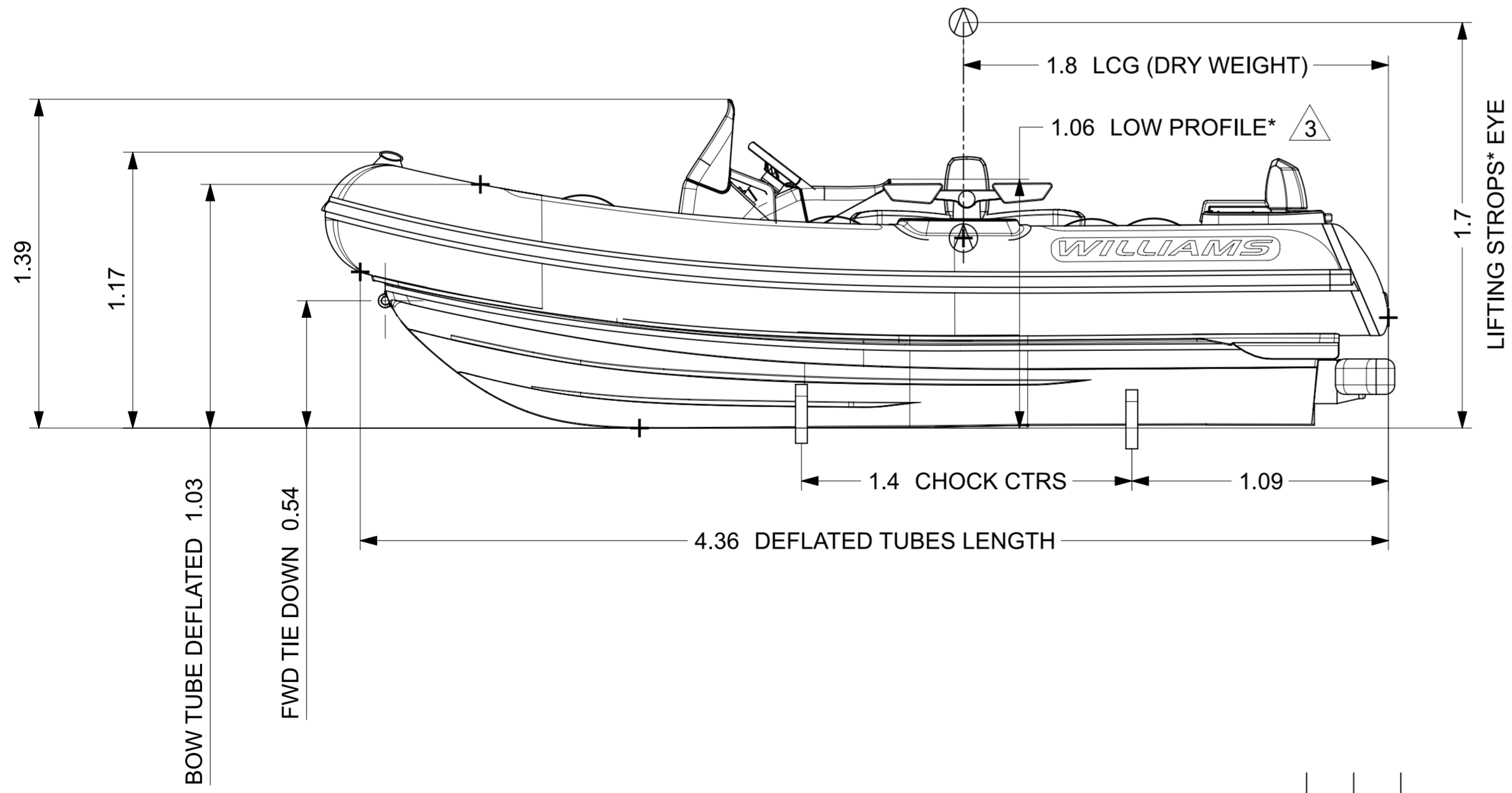
445

LENGTH	4.5 m (±1%)
BEAM	2.0 m (±1%)
DRAFT (FULLY LOADED)	0.47 m
ENGINE	YANMAR 4JH-110
POWER	110hp ≅ 81kW
DRY WEIGHT	840 Kg
SEATING CAPACITY	7 + 1
FUEL	DIESEL
FUEL CAPACITY	68L
MAX. SPEED	40 mph ≅ 64 kph
No. TUBE COMPARTMENTS	5
CE DESIGN CATEGORY	C



NOTES:

1. LENGTH / BEAM TOLERANCE DUE TO VARIATION IN TUBE AIR PRESSURE.
2. AVERAGE DRY WEIGHT STATED; ACTUAL WEIGHT DEPENDENT ON OPTIONS FITTED.
3. *LOW PROFILE OPTION:
 - HELM FOLDED DOWN.
 - REMOVABLE BACKRESTS.
 - QUICK RELEASE STEERING WHEEL.
 - FWD TUBE DEFLATED.
4. REFER TO DRAWING RD1873 FOR CHOCK PROFILES.
5. ALL DIMENSIONS IN METERS.



REV.	DATE	DETAILS	DRAWN	APPVD
3	28/10/21	LOW PROFILE HEIGHT MOVED TO FOLDED HELM	WE	DBS
2	16/09/21	DEFLATED TUBES LENGTH ADDED	WE	OB
1	31/08/21	DOCUMENT PRODUCTION	WE	DBS

	GENERAL TOL. 0 ±0.50 0.0 ±0.25 0.00 ±0.10 0 ±0.50*
--	--

DRAWN: W.EVANS 31/08/2021 APPVD: D.BLOICE-SMITH 31/08/2021 PROJECT: P101 A INSPECTION LEVEL: - MATERIAL & FINISH: - REMOVE ALL BURRS & BREAK SHARP EDGES GENERAL SURFACE FINISH Ra 1.6UM DIMENSIONS IN MM UNLESS STATED DO NOT SCALE DRAWING	
PART NO. WPT-000445DJ-P101-2022MY-DATASHEET_dwg1 SCALE 1:20	TITLE DIESELJET 445 (2022MY) SHEET 1 OF 1